

TABLE SCREEN



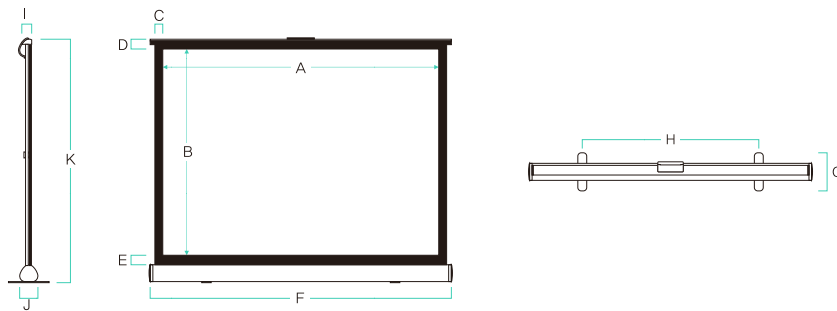
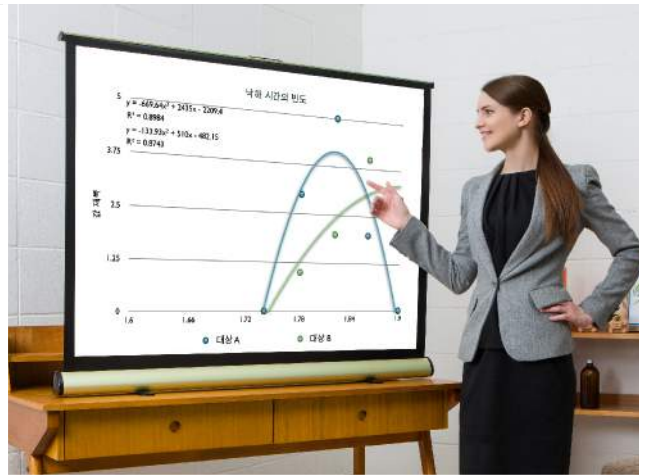
Angle
120°

Fabric Material
White PET

OPTIONS AVAILABLE

Gain 1.5 Screen Ratio 4:3
1.5 4:3
16:10

Colors
Apple Green
Champagne Gold
Phantom Black

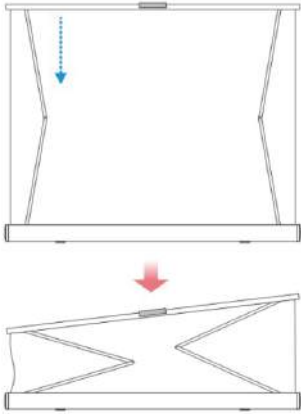


Unit: mm

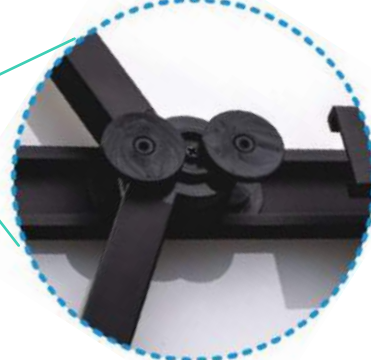
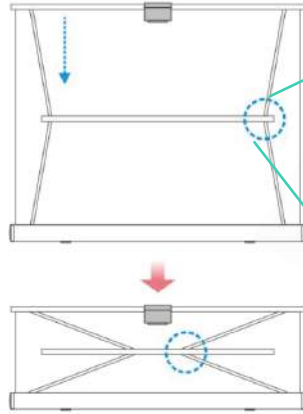
Model	Screen Ratio	Image Size						Screen Size					Weight (kg)
		A	B	C	D	E	F	G	H	I	J	K	
T-42	4:3	854	640	30	30	40	960	150	170~835	50	70	745	1.9
T-50		1,016	762			40	1,120		170~1,000			900	2.3
T-60		1,219	914			40	1,325		170~1,200			1,105	2.6
T-39W	16:10	854	534	30	30	146	960	150	170~835	50	70	745	1.9
T-47W		1,016	635			167	1,120		70~1,000			900	2.3
T-57W		1,219	762			192	1,325		170~1,200			1,105	2.6

ANTI-TWIST SYSTEM

In the Market



EXZEN Table Screen



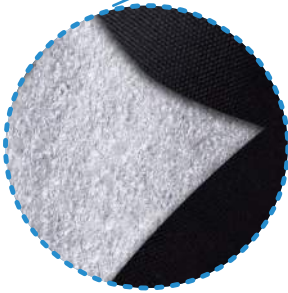
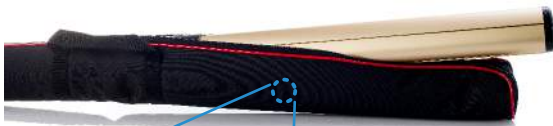
Korea Patent No. 10-1110161

EXZEN Table Screen, with Anti-Twist system is the most advanced table screen.

The Anti-Twist system prevents distortion, keeping the screen perpendicular to the table.

The components of EXZEN table screen are 8 Balance wheels and Left-right-direction-maintain rail.

PROTECTIVE PORTABLE BAG (OPTIONAL)



The Protective Bag is layered with a sponge inside to protect the Table Screen from scratches, and absorb the impacts of dropping.

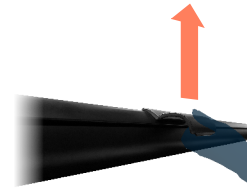
ONE HAND TO SET IT UP

1



Lift up the Lock

2



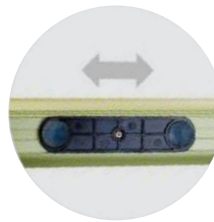
Pull up the screen from it's base

3

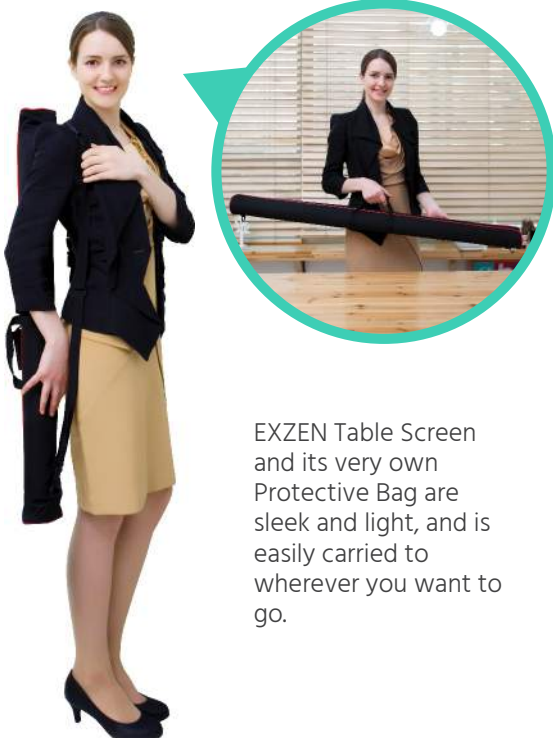


Done in 2 seconds

ADJUSTABLE FOOT-HOLD



Movable anti-slip silicon foot pads allow you the flexibility to fit EXZEN Table Screen to any table size.



EXZEN Table Screen and its very own Protective Bag are sleek and light, and is easily carried to wherever you want to go.